

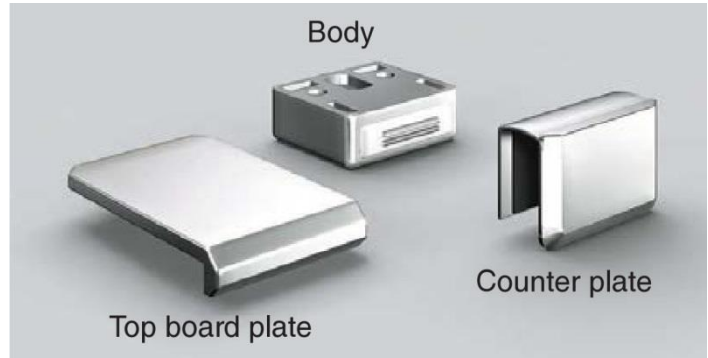
GXL-GC09-CR Magnetic Catch

Features

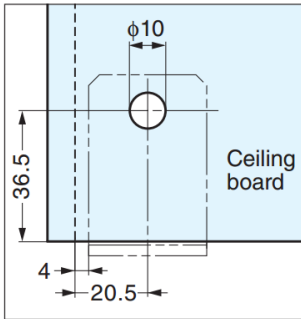
- Magnetic catch for cabinet door
- Applicable for both glass or wood ceiling board

Parts Included

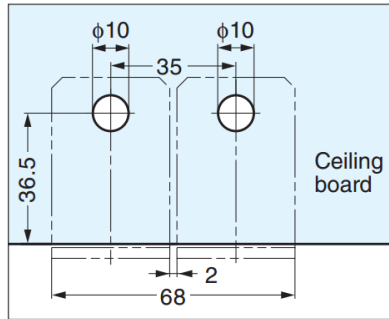
- Binding head screw M4×12



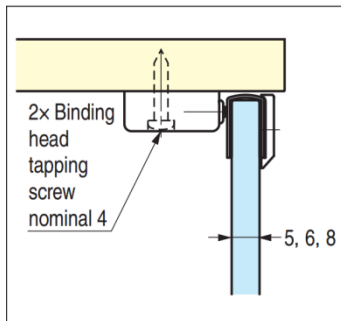
No.	Part Name	Material	Finish/Colour
①	Body	Zinc Alloy (ZDC)	Chrome
②	Top Board Plate	Zinc Alloy (ZDC)	Chrome
③	Spacer	Rubber	Black
④	Strike	Steel	Chrome
⑤	Counter Plate	Zinc Alloy (ZDC)	Chrome
⑥	Gasket	Foam Rubber	Black



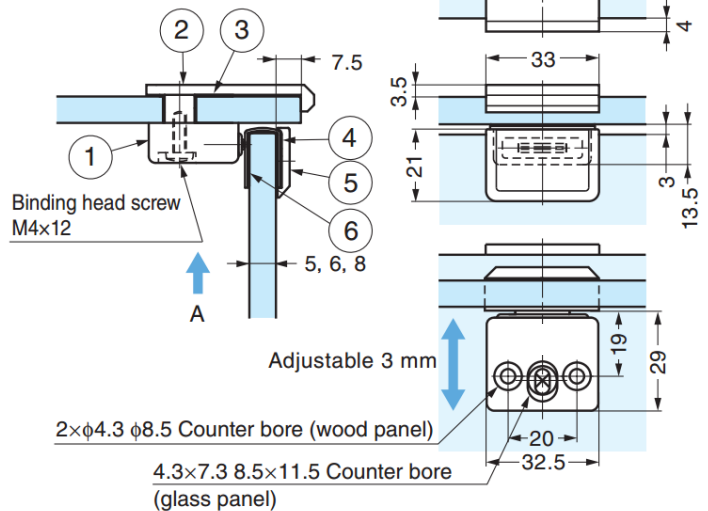
Glass Swing Door (Right)



Glass Double Door



Wood Panel



Part No.	Glass Thickness	Magnetic Force	
GXL-GC09-CR	5, 6, 8	14.7 N	1.5 kg